

Assembly Instructions

MF91004

Figure1

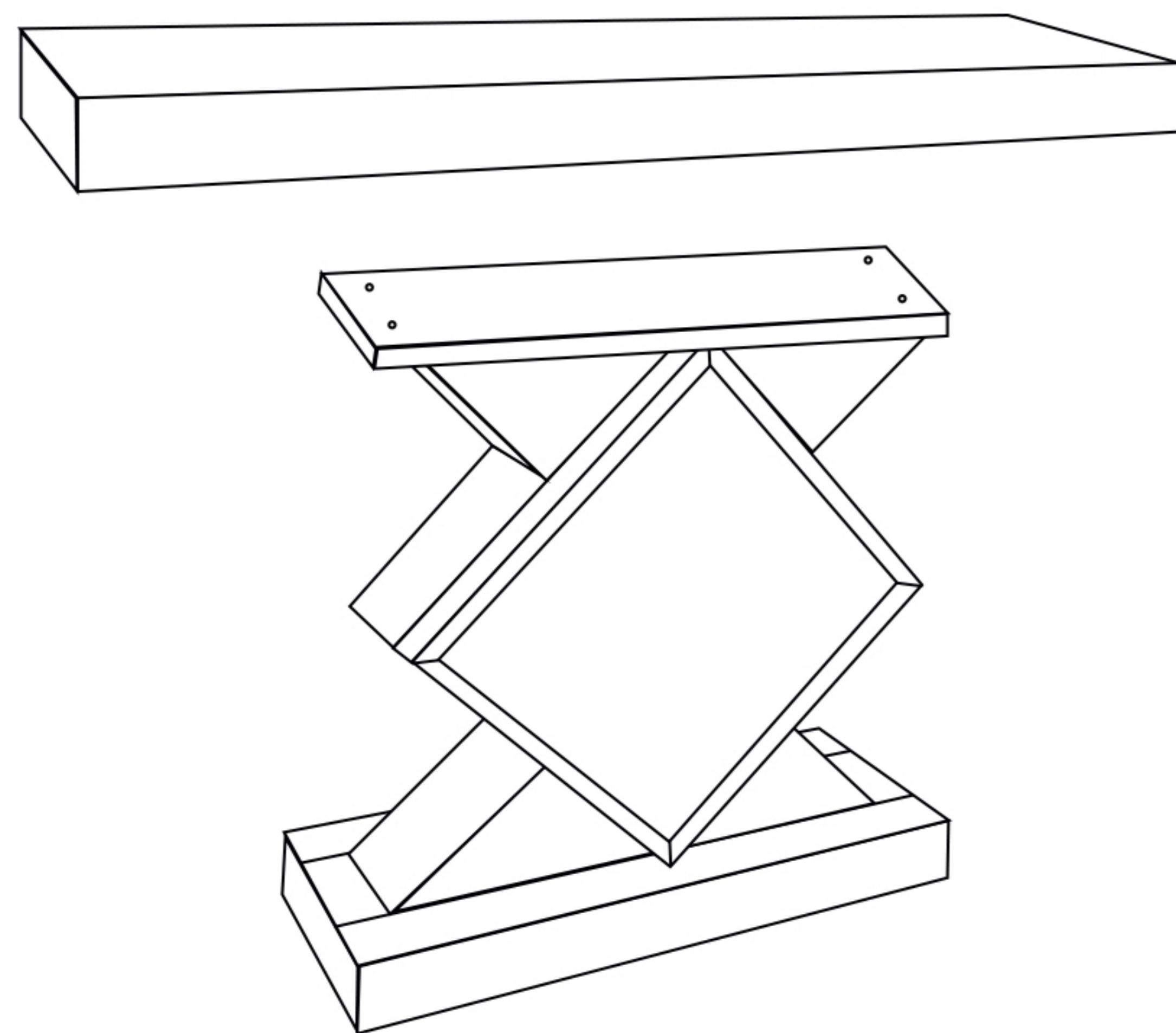
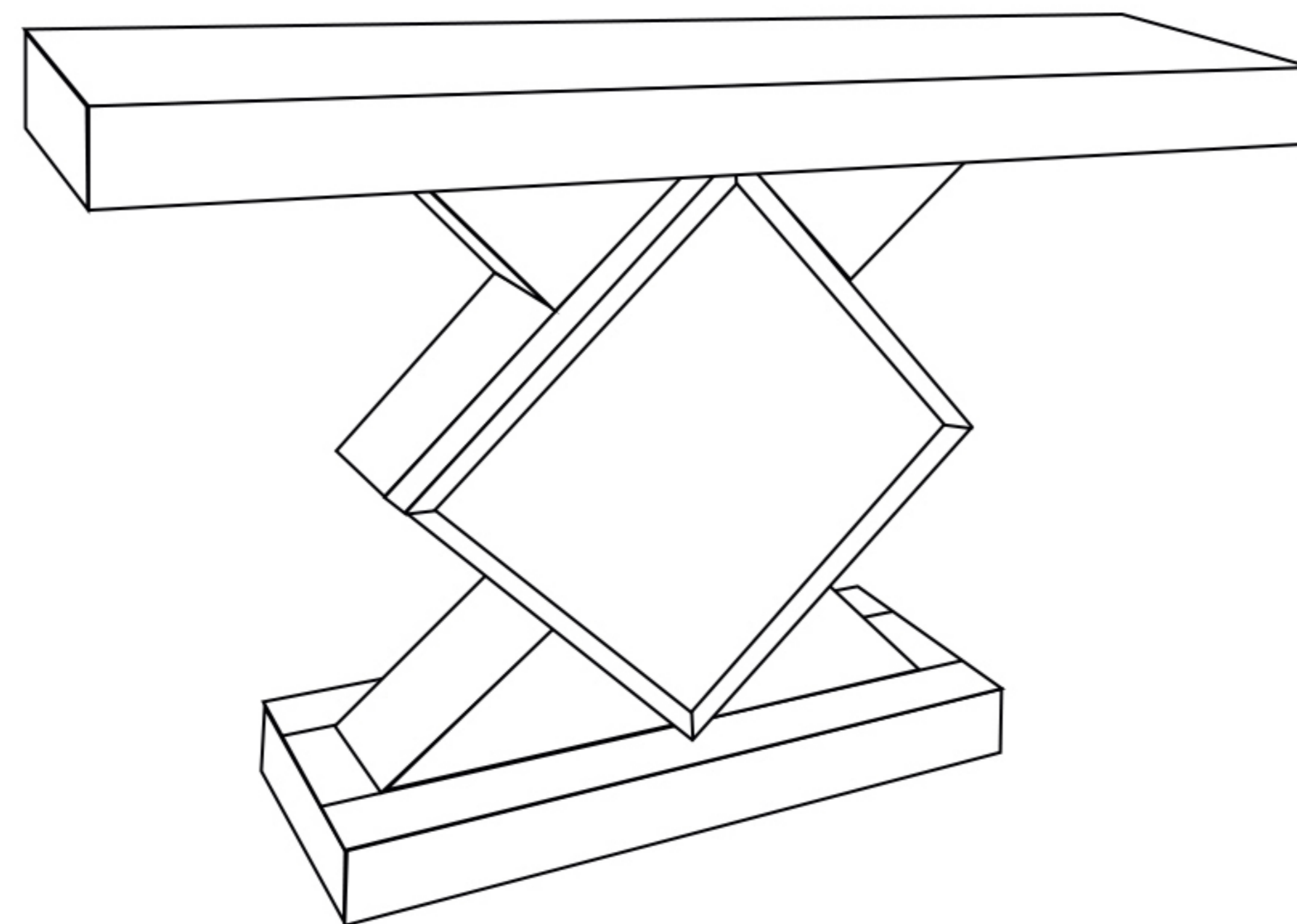

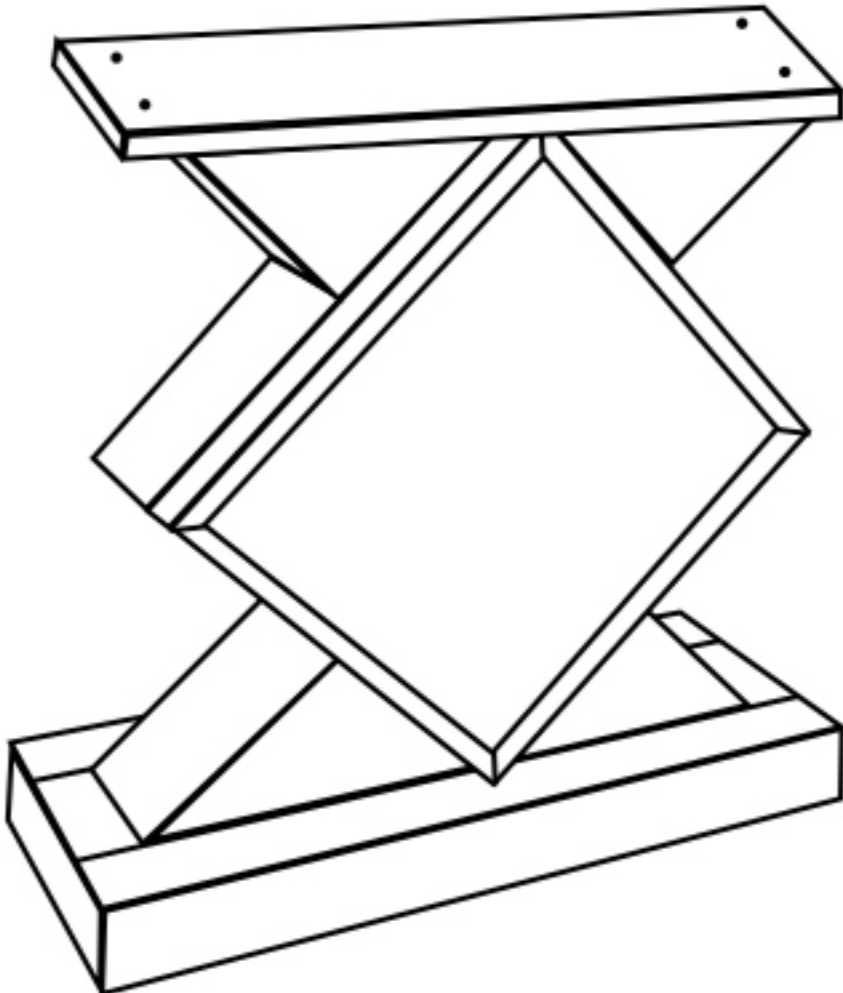

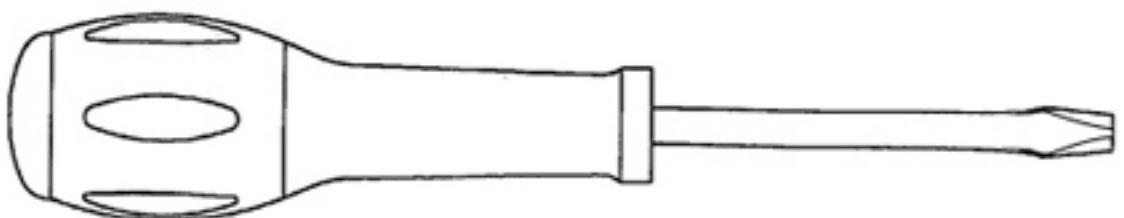


Figure2



Parts Details

PartNo		QTY
A		1PC
B		1PC
1		4PCS
2		1PC